

## **BULKHEAD – NL9965 & NL9966**

### **Product Description**

A competitive range of easy to install emergency bulkheads suitable for internal and external use.



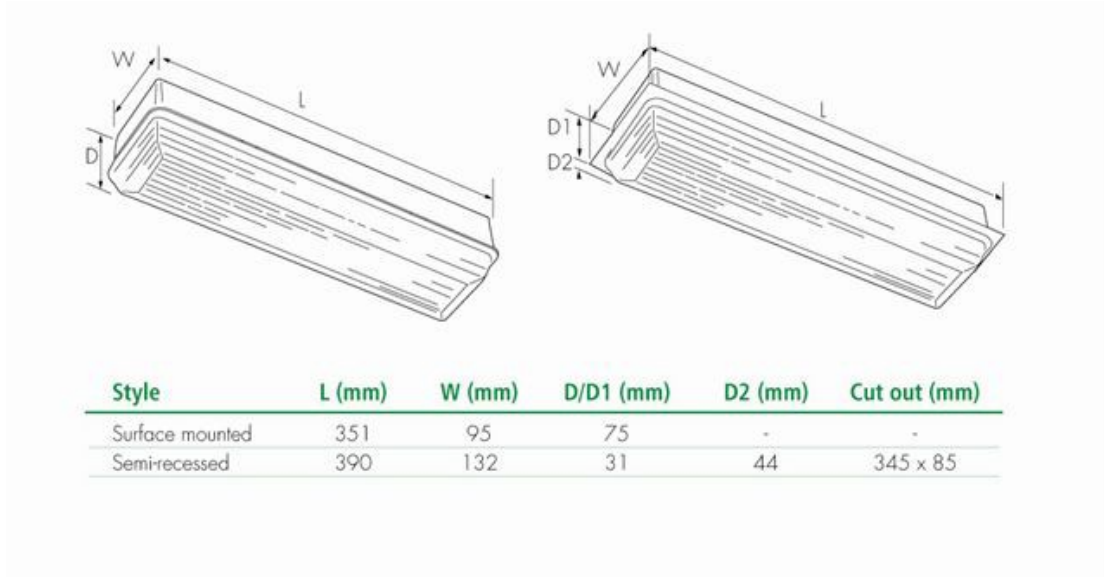
### **Key Features**

- 8W maintained and non-maintained versions.
- Tough polycarbonate construction.
- Supplied with lamp.
- Simple first fix base with removable gear tray

### **Technical details**

- T5 Lamp
- IP65
- Batteries are made of sealed Nickel Cadmium
- Maintained 3 hour duration

## Dimensions



## Typical Emergency Lighting Spacing

Escape Route 2m wide  
0.2 Lux min (unobstructed route)

	Mounting Height	4.0m	10.3m	8.3m	3.2m
NL5870	2.5m	4.0m	10.3m	8.3m	3.2m
NL5871	2.5m	4.0m	10.3m	8.3m	3.2m