

**Product selected: SHP-T 250W**

Standard high pressure sodium lamps offering the unique combination of good colour appearance and high efficacy coupled with long lamp life.

**Applications**

- Residential street lighting
- Hi-mast multi-level junction lighting
- Safety/security/amenity floodlighting
- Motorway and major road lighting
- Hi-bay industrial lighting

**Features**

- Pleasant, warm, golden-white light colour
- High efficacy, up to 130 lm/W
- Envelope shape/finish: single-ended clear/coated and double-ended clear

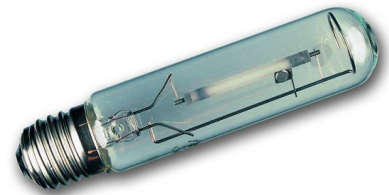
**Directions for use**

- Burning position: universal
- Open Fixture Rating

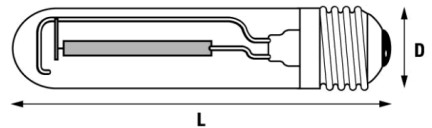
**Product Attributes**

Item description	SHP-T 250W
Ordering Code	0020482
EAN code	5410288204826
Packing Quantity	12
Wattage (W)	250
Voltage (V)	100
Cap	E40
Max. Over. Length (mm)	260
Diameter (mm)	48
Light output (lm)	28000
Current (A)	3.00
Colour Temp (K)	2050

**Product Image**



**Line Drawing**

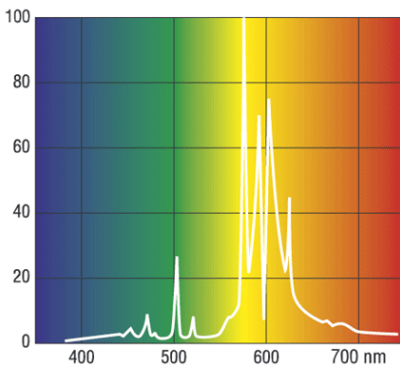


**Fixture Rating**



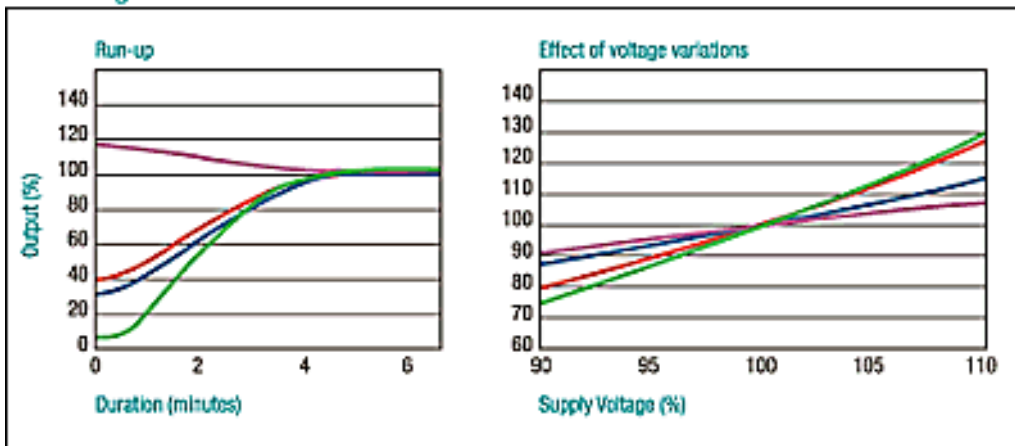
**Burning Position**

**Spectral Diagram**



## Run-up Characteristics

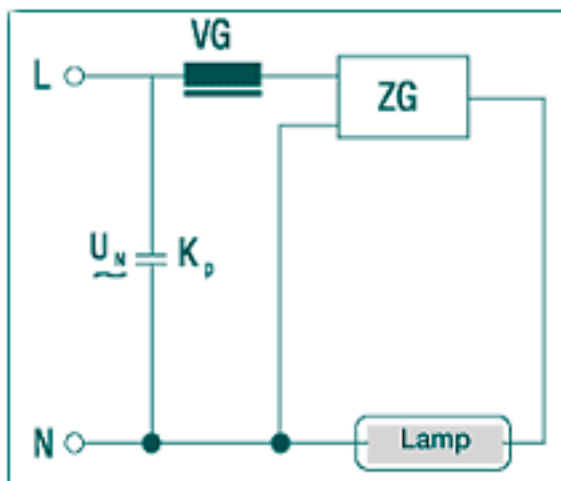
### High Pressure Sodium



Re-start time when hot  
 Twinarc, SBY: Immediate re-start  
 Standard, Super & MF: up to 1 minute

■ Lamp Voltage  
 ■ Lamp Current  
 ■ Lamp Power  
 ■ Luminous Flux

## Circuit Diagram



L Live conductor L<sub>1</sub>, L<sub>2</sub>, L<sub>3</sub>  
 N Neutral conductor  
 U<sub>N</sub> power supply voltage 230V~  
 (400V~ for HSI-T 2000V)  
 VG ballast  
 K<sub>p</sub> lead capacitor  
 ZG start-up system  
 K<sub>2</sub> start-up capacitor  
 ST stray field transformer  
 CWA constant wattage autotransformer