

# Illuminated beacons and indicator banks

Type XVB

Characteristics :  
pages 4/38 and 4/39  
References :  
pages 4/40 to 4/47  
Dimensions :  
pages 4/48 and 4/49

General

XVB illuminated beacons and indicator banks are visual or audible signalling units used mainly to indicate machine operation sequences and to check status from a distance. They are visible through 360°. Examples: start, stop machine, no material, call technical staff, fault signalling, etc.

## Illuminated beacon

### Complete unit

Ready assembled with a single illuminated signalling unit:

- steady,
- flashing,
- or with "flash" discharge tube.

It comprises:

- 1 A base, incorporating a removable terminal block and bottom or side cable entry.
- 2 A coloured lens unit: green, red, orange, blue, clear or yellow

### Accessories

- 3 A support tube, 100, 400 or 800 mm long with clamping device on the base
- 4 Support tube concealment cover.
- 5 Fixing plate screwed onto tube for mounting on a horizontal surface.
- 6 Fixing plate for mounting on a vertical surface.
- 14 Adaptor with 13P cable gland.

## Indicator bank

### For customer assembly

Variable composition, with up to 5 illuminated or audible signalling units, supplied unassembled (for assembly by the user).

It comprises:

- 12 A base, incorporating a removable terminal block and bottom or side cable entry.
- 7 1 to 5 coloured lens units: green, red, orange, blue, clear or yellow
- 8 Or 1 audible signalling unit.  
(Maximum of 5 illuminated lens units or 4 illuminated lens units + 1 audible signalling unit).
- 9 A top cover, (except with discharge tube unit).

The illuminated or audible signalling units stack vertically and are easily locked and unlocked by an integral ring nut.

Only one "flash" discharge tube unit can be fitted on each indicator bank, always at the top.

Electrical connections between each unit are made automatically during assembly.

### Accessories

- 3 Support tube, 100, 400 or 800 mm long.
- 4 Support tube concealment cover.
- 5 Fixing plate screwed onto tube for mounting on a horizontal surface.
- 6 Fixing plate for mounting on a vertical surface.
- 10 Coloured markers( 1).
- 11 Legend holders with legend (1).
- 13 Legends that attach to locking ring of individual signalling units for identification .
- 14 Adaptor and 13P cable gland.

(1) These allow the position of the various units (illuminated or audible) to be marked, for identification in the event of disassembly

## Setting up

### Fixing

Base mounted directly onto panel by means of 2 screws or by means of a plate screwed to the support tube.

### Cabling

By means of a removable terminal block incorporated in the base unit (simplified wiring). The screw and captive cable clamp terminals are protected to prevent accidental contact with live parts.

# Illuminated beacons and indicator banks

Type XVB

## Characteristics

General :  
pages 4/36 and 4/37  
References :  
pages 4/40 to 4/47  
Dimensions :  
pages 4/48 and 4/49

### Environment

<b>Approvals</b>	Standard version, CSA, UL		Pending
<b>Conforming to standards</b>	Standard version		IEC/EN 60947-5-1
<b>Protective treatment</b>			"TC"
<b>Ambient air temperature</b>			
Storage		°C	- 40...+ 70
Operation (1)	Illuminated lens unit, steady	°C °C	- 25...+ 70, with incandescent bulb 10 W. - 25...+ 50, with LED
	Flashing units	°C °C °C	- 25...+ 50, with incandescent bulb 7 W - 25...+ 40, with incandescent bulb 10 W - 25...+ 50, with LED
	Units with "flash" discharge tube	°C	- 25...+ 50
	Audible signalling units	°C	- 25...+ 50, with buzzer
<b>Electric shock protection</b> conforming to IEC 536	Tube mounting		Class I
	Direct mounting on base unit		Class II
<b>Degree of protection</b>	To IEC 529 and NF C 20-010 To UL 508		IP 65 Type 4X NEMA "indoor"
<b>Material</b>	Illuminated lens unit		Polycarbonate
	Base unit and top cover		Glass-reinforced polyamide and polycarbonate
	Tube		Stainless steel
	Fixing plate		Zamak

(1) Warning : combining of illuminated units with incandescent lamps and LED illuminated units is forbidden. Moreover, when associating different elements such as steady or flashing, the maximum temperature is limited to that of weaker element.

# Illuminated beacons and indicator banks

## Type XVB

General :  
pages 4/36 and 4/37  
References :  
pages 4/40 to 4/47  
Dimensions :  
pages 4/48 and 4/49

### Characteristics (continued)

#### Electrical characteristics

<b>Rated insulation voltage (Ui)</b>	Conforming to IEC 947-1	<b>V</b>	250
<b>Consumption</b>	LED unit		
	Steady	<b>mA</b>	≈ 24 V : < 80 ~ 120...230 V : < 30
	Flashing	<b>mA</b>	≈ 24 V : < 40 ~ 120...230 V : < 15
	Unit with discharge tube (on energisation)	<b>mA</b>	≈ 24 V : 5J unit: < 430 ; 10J unit : < 850 ~ 120 V : 5J unit: < 130 ; 10J unit : < 260 ~ 230 V : 5J unit: < 105 ; 10J unit : < 210
	Audible signalling units	<b>mA</b>	≈ 12...48 V : < 20 ~ 120...230 V : < 50
<b>Rated impulse withstand voltage</b>	Conforming to IEC 947-1	<b>kV</b>	U imp = 4
<b>Bulb type</b>	Illuminated units, steady or flashing		Bulbs with BA 15d base fitting, minimum power 5 W, maximum power 10 W
<b>Illuminating power</b>	Units with discharge circuit ("flash" lamp with integral tube)	<b>cds</b>	13 (integral high intensity tube) with clear lens unit: 5J tube 26 (integral high intensity tube) with clear lens unit: 10J tube
<b>Audible signalling unit</b>	Continuous or intermittent signal	<b>dB</b>	90 at 1 m
	Fundamental frequency	<b>kHz</b>	2.8
<b>Terminal referencing</b>	Common to all 5 units		1 terminal referenced "C"
	Depending on number of units		1 or 5 terminals referenced 1 to 5
<b>Cabling</b>	Maximum clamping capacity on protected, ready-to tighten, screw and captive cable clamp terminals	<b>mm<sup>2</sup></b>	1 x 1.5 with cable end
<b>Frequency of illuminated units</b>	Flashing units	<b>Hz</b>	1
	Units with discharge tube	<b>Hz</b>	1

# Illuminated beacons and indicator banks

Illuminated beacons type XVB-L  
for bulb with BA 15d base fitting

General :  
pages 4/36 and 4/37  
Characteristics :  
pages 4/38 and 4/39  
Dimensions :  
pages 4/48 and 4/49

## References

### Illuminated beacons with steady light



XVB-L3●

Description	Light source	Colour	Reference	Weight kg
<b>Complete unit comprising :</b> 1 lens unit 1 base unit (direct or tube fixing)	Bulb (10 W max) not included 250 V max	Green	<u>XVB-L33</u>	0.260
		Red	<u>XVB-L34</u>	0.260
		Orange	<u>XVB-L35</u>	0.260
		Blue	<u>XVB-L36</u>	0.260
		Clear	<u>XVB-L37</u>	0.260
		Yellow	<u>XVB-L38</u>	0.260

### Illuminated beacons with integral flashing light



XVB-L4B●

<b>Complete unit comprising :</b> 1 lens unit 1 base unit (direct or tube fixing)	Bulb (10 W max) not included ~ 24 V --- 24...48 V	Green	<u>XVB-L4B3</u>	0.280	
		Red	<u>XVB-L4B4</u>	0.280	
		Orange	<u>XVB-L4B5</u>	0.280	
		Blue	<u>XVB-L4B6</u>	0.280	
		Clear	<u>XVB-L4B7</u>	0.280	
		Yellow	<u>XVB-L4B8</u>	0.280	
		Bulb (10 W max) not included ~ 48...230 V	Green	<u>XVB-L4M3</u>	0.280
			Red	<u>XVB-L4M4</u>	0.280
Orange	<u>XVB-L4M5</u>		0.280		
Blue	<u>XVB-L4M6</u>		0.280		
Clear	<u>XVB-L4M7</u>		0.280		
Yellow	<u>XVB-L4M8</u>		0.280		

# Illuminated beacons and indicator banks

Illuminated beacons type XVB-L  
with LED light source

General :  
pages 4/36 and 4/37  
Characteristics :  
pages 4/38 and 4/39  
Dimensions :  
pages 4/48 and 4/49

## References

### Illuminated beacons with steady light



XVB-L0B●

Description	Light source	Colour	Reference	Weight kg	
<b>Complete unit comprising :</b> 1 cover (direct or 1 lens unit 1 base unit tube fixing)	LED, included ≈ 24 V	Green	<b>XVB-L0B3</b>	0.270	
		Red	<b>XVB-L0B4</b>	0.270	
		Orange	<b>XVB-L0B5</b>	0.270	
		Blue	<b>XVB-L0B6</b>	0.270	
		Clear	<b>XVB-L0B7</b>	0.270	
		Yellow	<b>XVB-L0B8</b>	0.270	
		LED, included ~ 12	Green	<b>XVB-L0G3</b>	0.270
			Red	<b>XVB-L0G4</b>	0.270
Orange	<b>XVB-L0G5</b>		0.270		
Blue	<b>XVB-L0G6</b>		0.270		
Clear	<b>XVB-L0G7</b>		0.270		
Yellow	<b>XVB-L0G8</b>		0.270		
LED, included ~ 230 V	Green		<b>XVB-L0M3</b>	0.270	
	Red		<b>XVB-L0M4</b>	0.270	
	Orange	<b>XVB-L0M5</b>	0.270		
	Blue	<b>XVB-L0M6</b>	0.270		
	Clear	<b>XVB-L0M7</b>	0.270		
	Yellow	<b>XVB-L0M8</b>	0.270		

### Illuminated beacons with integral flashing light



XVB-L1B●

<b>Complete unit comprising :</b> 1 cover 1 lens unit 1 base unit (direct or tube fixing)	LED, included ≈ 24 V	Green	<b>XVB-L1B3</b>	0.280	
		Red	<b>XVB-L1B4</b>	0.280	
		Orange	<b>XVB-L1B5</b>	0.280	
		Blue	<b>XVB-L1B6</b>	0.280	
		Clear	<b>XVB-L1B7</b>	0.280	
		Yellow	<b>XVB-L1B8</b>	0.280	
		LED, included ~ 120 V	Green	<b>XVB-L1G3</b>	0.280
			Red	<b>XVB-L1G4</b>	0.280
Orange	<b>XVB-L1G5</b>		0.280		
Blue	<b>XVB-L1G6</b>		0.280		
Clear	<b>XVB-L1G7</b>		0.280		
Yellow	<b>XVB-L1G8</b>		0.280		
LED, included ~ 230 V	Green		<b>XVB-L1M3</b>	0.280	
	Red		<b>XVB-L1M4</b>	0.280	
	Orange	<b>XVB-L1M5</b>	0.280		
	Blue	<b>XVB-L1M6</b>	0.280		
	Clear	<b>XVB-L1M7</b>	0.280		
	Yellow	<b>XVB-L1M8</b>	0.280		

# Illuminated beacons and indicator banks

## Illuminated beacons type XVB-L with "flash" discharge tube

General :  
pages 4/36 and 4/37  
Characteristics :  
pages 4/38 and 4/39  
Dimensions :  
pages 4/48 and 4/49

### References

#### Illuminated beacons with 5 joule "flash" discharge tube

Description	Light source	Colour	Reference	Weight kg	
<b>Complete unit comprising :</b> 1 lens unit 1 base unit (direct or tube fixing)	"Flash" discharge tube ≈ 24 V	Green	<u>XVB-L6B3</u>	0.440	
		Red	<u>XVB-L6B4</u>	0.440	
		Orange	<u>XVB-L6B5</u>	0.440	
		Blue	<u>XVB-L6B6</u>	0.440	
		Clear	<u>XVB-L6B7</u>	0.440	
		Yellow	<u>XVB-L6B8</u>	0.440	
		"Flash" discharge tube ~ 120 V	Green	<u>XVB-L6G3</u>	0.425
			Red	<u>XVB-L6G4</u>	0.425
Orange	<u>XVB-L6G5</u>		0.425		
Blue	<u>XVB-L6G6</u>		0.425		
Clear	<u>XVB-L6G7</u>		0.425		
Yellow	<u>XVB-L6G8</u>		0.425		
"Flash" discharge tube ~ 230 V	Green		<u>XVB-L6M3</u>	0.435	
	Red		<u>XVB-L6M4</u>	0.435	
	Orange	<u>XVB-L6M5</u>	0.435		
	Blue	<u>XVB-L6M6</u>	0.435		
	Clear	<u>XVB-L6M7</u>	0.435		
	Yellow	<u>XVB-L6M8</u>	0.435		



XVB-L6B●

4

#### Illuminated beacons with 10 joule "flash" discharge tube

<b>Complete unit comprising :</b> 1 lens unit 1 base unit (direct or tube fixing)	"Flash" discharge tube ≈ 24 V	Green	<u>XVB-L8B3</u>	0.450	
		Red	<u>XVB-L8B4</u>	0.450	
		Orange	<u>XVB-L8B5</u>	0.450	
		Blue	<u>XVB-L8B6</u>	0.450	
		Clear	<u>XVB-L8B7</u>	0.450	
		Yellow	<u>XVB-L8B8</u>	0.450	
		"Flash" discharge tube ~ 120 V	Green	<u>XVB-L8G3</u>	0.460
			Red	<u>XVB-L8G4</u>	0.460
Orange	<u>XVB-L8G5</u>		0.460		
Blue	<u>XVB-L8G6</u>		0.460		
Clear	<u>XVB-L8G7</u>		0.460		
Yellow	<u>XVB-L8G8</u>		0.460		
"Flash" discharge tube ~ 230 V	Green		<u>XVB-L8M3</u>	0.460	
	Red		<u>XVB-L8M4</u>	0.460	
	Orange	<u>XVB-L8M5</u>	0.460		
	Blue	<u>XVB-L8M6</u>	0.460		
	Clear	<u>XVB-L8M7</u>	0.460		
	Yellow	<u>XVB-L8M8</u>	0.460		



XVB-L8B●

# Illuminated beacons and indicator banks

Indicator banks type XVB-C for customer assembly (up to 5 units)  
Illuminated lens units  
for bulb with BA 15d base fitting

General :  
pages 4/36 and 4/37  
Characteristics :  
pages 4/38 and 4/39  
Dimensions :  
pages 4/48 and 4/49

## References

For use with base unit XVB-C●●, see page 4/46

### Illuminated lens units with steady light



XVB-C3●

Description	Light source	Colour	Reference	Weight kg
Illuminated lens units	Bulb (10 W max) not included 250 V maxi	Green	<u>XVB-C33</u>	0.140
		Red	<u>XVB-C34</u>	0.140
		Orange	<u>XVB-C35</u>	0.140
		Blue	<u>XVB-C36</u>	0.140
		Clear	<u>XVB-C37</u>	0.140
		Yellow	<u>XVB-C38</u>	0.140

### Illuminated lens units with integral flashing light



XVB-C4●●

Illuminated lens units	Bulb (10 W max) not included ~ 24 V --- 24...48 V	Green	<u>XVB-C4B3</u>	0.160	
		Red	<u>XVB-C4B4</u>	0.160	
		Orange	<u>XVB-C4B5</u>	0.160	
		Blue	<u>XVB-C4B6</u>	0.160	
		Clear	<u>XVB-C4B7</u>	0.160	
		Yellow	<u>XVB-C4B8</u>	0.160	
		Bulb (10 W max) not included ~ 48...230 V	Green	<u>XVB-C4M3</u>	0.160
			Red	<u>XVB-C4M4</u>	0.160
Orange	<u>XVB-C4M5</u>		0.160		
Blue	<u>XVB-C4M6</u>		0.160		
Clear	<u>XVB-C4M7</u>		0.160		
Yellow	<u>XVB-C4M8</u>		0.160		

# Illuminated beacons and indicator banks

Indicator banks type XVB-C for customer assembly (up to 5 units)  
Illuminated lens units  
with LED light source

General :  
pages 4/36 and 4/37  
Characteristics :  
pages 4/38 and 4/39  
Dimensions :  
pages 4/48 and 4/49

## References

For use with base unit XVB-C●●, see page 4/46

### Illuminated lens units with steady light



XVB-C0●●

Description	Signalling	Colour	Reference	Weight kg	
Illuminated lens units	LED, included ≈ 24	Green	XVB-C0B3	0.150	
		Red	XVB-C0B4	0.150	
		Orange	XVB-C0B5	0.150	
		Blue	XVB-C0B6	0.150	
		Clear	XVB-C0B7	0.150	
		Yellow	XVB-C0B8	0.150	
		LED, included ~ 120 V	Green	XVB-C0G3	0.150
			Red	XVB-C0G4	0.150
Orange	XVB-C0G5		0.150		
Blue	XVB-C0G6		0.150		
Clear	XVB-C0G7		0.150		
Yellow	XVB-C0G8		0.150		
LED, included ~ 230 V	Green		XVB-C0M3	0.150	
	Red		XVB-C0M4	0.150	
	Orange	XVB-C0M5	0.150		
	Blue	XVB-C0M6	0.150		
	Clear	XVB-C0M7	0.150		
	Yellow	XVB-C0M8	0.150		

### Illuminated lens units with integral flashing light



XVB-C1●●

Illuminated lens units	LED, included ≈ 24 V	Green	XVB-C1B3	0.170	
		Red	XVB-C1B4	0.170	
		Orange	XVB-C1B5	0.170	
		Blue	XVB-C1B6	0.170	
		Clear	XVB-C1B7	0.170	
		Yellow	XVB-C1B8	0.170	
		LED, included ~ 120 V	Green	XVB-C1G3	0.170
			Red	XVB-C1G4	0.170
Orange	XVB-C1G5		0.170		
Blue	XVB-C1G6		0.170		
Clear	XVB-C1G7		0.170		
Yellow	XVB-C1G8		0.170		
LED, included ~ 230 V	Green		XVB-C1M3	0.170	
	Red		XVB-C1M4	0.170	
	Orange	XVB-C1M5	0.170		
	Blue	XVB-C1M6	0.170		
	Clear	XVB-C1M7	0.170		
	Yellow	XVB-C1M8	0.170		

# Illuminated beacons and indicator banks

Indicator banks type XVB-C for customer assembly (up to 5 units)  
Illuminated lens units  
with “flash” discharge tube

General :  
pages 4/36 and 4/37  
Characteristics :  
pages 4/38 and 4/39  
Dimensions :  
pages 4/48 and 4/49

## References

For use with base unit XVB-C●●, see page 4/46

### Illuminated lens units with 5 joule “flash” discharge tube

Description	Light source	Colour	Reference	Weight kg	
Illuminated lens units	“Flash” discharge tube ~ 24 V	Green	XVB-C6B3	0.295	
		Red	XVB-C6B4	0.295	
		Orange	XVB-C6B5	0.295	
		Blue	XVB-C6B6	0.295	
		Clear	XVB-C6B7	0.295	
		Yellow	XVB-C6B8	0.295	
		“Flash” discharge tube ~ 120 V	Green	XVB-C6G3	0.280
			Red	XVB-C6G4	0.280
	Orange		XVB-C6G5	0.280	
	Blue		XVB-C6G6	0.280	
	Clear		XVB-C6G7	0.280	
	Yellow		XVB-C6G8	0.280	
	“Flash” discharge tube ~ 230 V		Green	XVB-C6M3	0.290
			Red	XVB-C6M4	0.290
		Orange	XVB-C6M5	0.290	
		Blue	XVB-C6M6	0.290	
		Clear	XVB-C6M7	0.290	
		Yellow	XVB-C6M8	0.290	



XVB-C6●●

### Illuminated lens units with 10 joule “flash” discharge tube

Illuminated lens units	“Flash” discharge tube ~ 24 V	Green	XVB-C8B3	0.305	
		Red	XVB-C8B4	0.305	
		Orange	XVB-C8B5	0.305	
		Blue	XVB-C8B6	0.305	
		Clear	XVB-C8B7	0.305	
		Yellow	XVB-C8B8	0.305	
		“Flash” discharge tube ~ 120 V	Green	XVB-C8G3	0.315
			Red	XVB-C8G4	0.315
	Orange		XVB-C8G5	0.315	
	Blue		XVB-C8G6	0.315	
	Clear		XVB-C8G7	0.315	
	Yellow		XVB-C8G8	0.315	
	“Flash” discharge tube ~ 230 V		Green	XVB-C8M3	0.315
			Red	XVB-C8M4	0.315
		Orange	XVB-C8M5	0.315	
		Blue	XVB-C8M6	0.315	
		Clear	XVB-C8M7	0.315	
		Yellow	XVB-C8M8	0.315	



XVB-C8●●

# Illuminated beacons and indicator banks

Indicator banks type XVB-C for customer assembly (up to 5 units)  
Audible signalling units, base units, cover

General :  
pages 4/36 and 4/37  
Characteristics :  
pages 4/38 and 4/39  
Dimensions :  
pages 4/48 and 4/49

## References

### Audible signalling units



XVB-C9●

Description		Reference	Weight kg
<b>Buzzer unit</b> <b>90 dB at 1 m</b> (75, ..., 90 dB) modes: continuous/intermittent	≈ 12...48 V	<b>XVB-C9B</b>	0.170
	~ 120...230 V	<b>XVB-C9M</b>	0.180
<b>Loudspeaker unit</b>	(1)	<b>XVB-C9L0 ▲</b>	–

### Base units + cover (with set of 6 coloured markers)

#### Base units for direct or tube fixing



XVB-C07

Description	For use with	Type	Reference	Weight kg
<b>Base unit + cover</b> with bottom or side cable entry	Banks without "flash" discharge tube	Standard	<b>XVB-C21</b>	0.190
<b>Base unit only</b> with bottom or side cable entry	Banks without "flash" discharge tube"	Standard	<b>XVB-C07</b>	0.160
<b>Base unit + cover</b> with bottom or side cable entry	All types of banks (1)	AS-i	<b>XVB-C21A ▲</b>	–
		Interbus	<b>XVB-C21P ▲</b>	–

(1) Value not communicated.

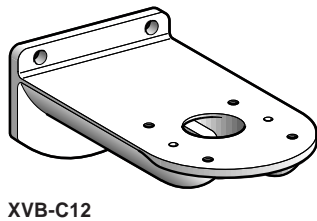
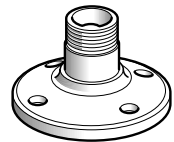
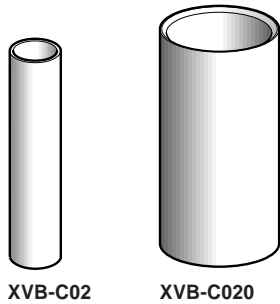
▲ Available  
Mid 2000.

# Illuminated beacons and indicator banks

## Type XVB Accessories

General :  
pages 4/36 and 4/37  
Characteristics :  
pages 4/38 and 4/39  
Dimensions :  
pages 4/48 and 4/49

## References



## Accessories common to beacons and indicator banks

Description	Characteristics	Unit reference	Weight kg	
<b>Support tube</b> supplied with clamping device on base unit	100 mm	<b>XVB-C02</b>	0.100	
	400 mm	<b>XVB-C03</b>	0.350	
	800 mm	<b>XVB-C04</b>	0.690	
<b>Support tube concealment cover</b>	100 mm	<b>XVB-C020</b>	0.080	
	400 mm	<b>XVB-C030</b>	0.305	
	800 mm	<b>XVB-C040</b>	0.610	
<b>Fixing plate for horizontal surface</b>	For mounting on tube XVB-C0●	<b>XVB-C11</b>	0.170	
<b>Fixing plate for vertical surface</b>	For direct mounting on base unit or with plate XVB-C11 + tube XVB-C0●	<b>XVB-C12</b>	0.380	
<b>Incandescent bulbs</b> BA 15d base fitting, 10 W (sold in lots of 10)	12 V	<b>DL1-BLJ</b>	0.090	
	24 V	<b>DL1-BLB</b>	0.090	
	48 V	<b>DL1-BLE</b>	0.090	
	120 V	<b>DL1-BLG</b>	0.090	
	230 V	<b>DL1-BLM</b>	0.090	
<b>Incandescent bulbs</b> BA 15d base fitting, 7 W (sold in lots of 10)	12 V	<b>DL1-BEJ</b>	0.090	
	24 V	<b>DL1-BEB</b>	0.090	
	48 V	<b>DL1-BEE</b>	0.090	
	120 V	<b>DL1-BEG</b>	0.090	
	230 V	<b>DL1-BEM</b>	0.090	
<b>LEDs</b> BA 15d base fitting (sold singly)	24 V	White	<b>DL1-BDB1</b>	0.015
		Green	<b>DL1-BDB3</b>	0.015
		Red	<b>DL1-BDB4</b>	0.015
		Blue	<b>DL1-BDB6</b>	0.015
		Yellow-orange	<b>DL1-BDB8</b>	0.015
	120 V	White	<b>DL1-BDG1</b>	0.015
		Green	<b>DL1-BDG3</b>	0.015
		Red	<b>DL1-BDG4</b>	0.015
		Blue	<b>DL1-BDG6</b>	0.015
		Yellow-orange	<b>DL1-BDG8</b>	0.015
	230 V	White	<b>DL1-BDM1</b>	0.015
		Green	<b>DL1-BDM3</b>	0.015
		Red	<b>DL1-BDM4</b>	0.015
		Blue	<b>DL1-BDM6</b>	0.015
		Yellow-orange	<b>DL1-BDM8</b>	0.015
	<b>Adaptors for side entry through base unit</b>	With 13P cable gland	<b>XVB-C14</b>	0.015
<b>Adaptors for side entry through base unit for connecting to AS-i bus and Interbus</b>	With 16P cable gland	<b>XVB-C16 ▲</b>	0.018	

## Accessories specific to indicator banks

<b>Set of coloured markers</b>	6 colours	<b>XVB-C22</b>	0.001
<b>Set of 5 legend holders</b>	Identification of stacked units on base	<b>XVB-C23</b>	0.002
<b>Sheet of 85 legends for legend holder (XVB-C23)</b>	Identification of stacked units on base	<b>XVB-CY1</b>	0.005
<b>Sheet of 52 legends</b>	Identification of stacked units on locking ring	<b>XVB-CY2</b>	0.005
<b>SIS labelling software creation of legends</b>	Available on CD ROM Telephone : 01623 450546	<b>SEUK 0109</b>	0.060

▲ Available  
Mid 2000.

# Illuminated beacons and indicator banks

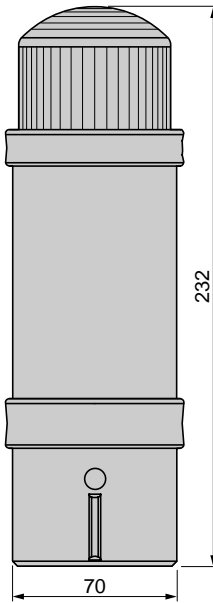
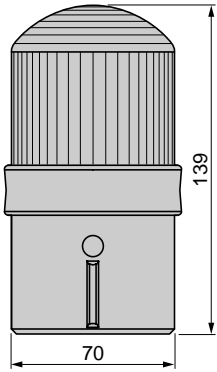
Type XVB

Dimensions

General :  
pages 4/36 and 4/37  
Characteristics :  
pages 4/38 and 4/39  
References :  
pages 4/40 to 4/47

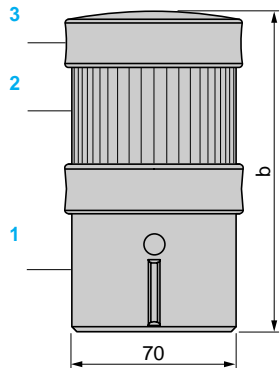
**Illuminated beacons XVB-L●●●**  
For bulb with BA 15d base fitting or LED

With "flash" discharge tube



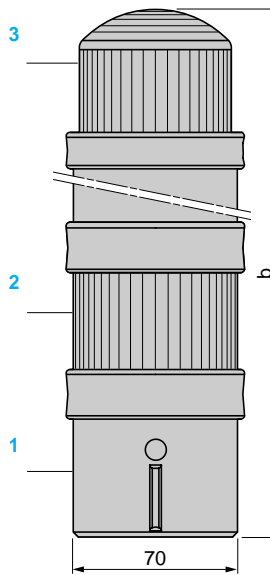
4

**Indicator banks XVB-C**  
Without "flash" discharge tube



- 1 + 3 = Base unit + cover XVB-C21
- 2 Illuminated or audible signalling unit XVB-C●●●

With "flash" discharge tube

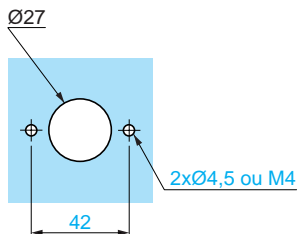


- 1 Base unit XVB-C07
- 2 Illuminated or audible signalling unit XVB-C●●●
- 3 "Flash" unit XVB-C●●●

Number of illuminated or audible signalling units (no "flash")	b
1	138
2	201
3	264
4	327
5	390

Number of illuminated or audible signalling units other than "flash" tube	b
1	295
2	358
3	421
4	484

Panel cut-out for direct fixing (on base unit XVB-C21, XVB-C07, XVB-C21A or XVB-C21P)



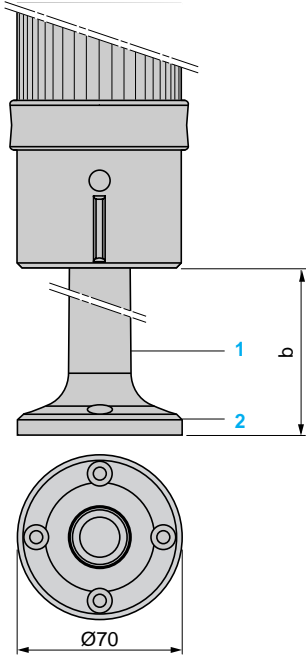
# Illuminated beacons and indicator banks

## Type XVB

General :  
 pages 4/36 and 4/37  
 Characteristics :  
 pages 4/38 and 4/39  
 References :  
 pages 4/40 to 4/47

### Dimensions (continued)

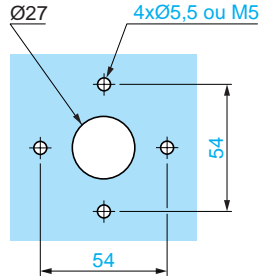
#### Support tube XVB-C0● and fixing plate for horizontal surface XVB-C11



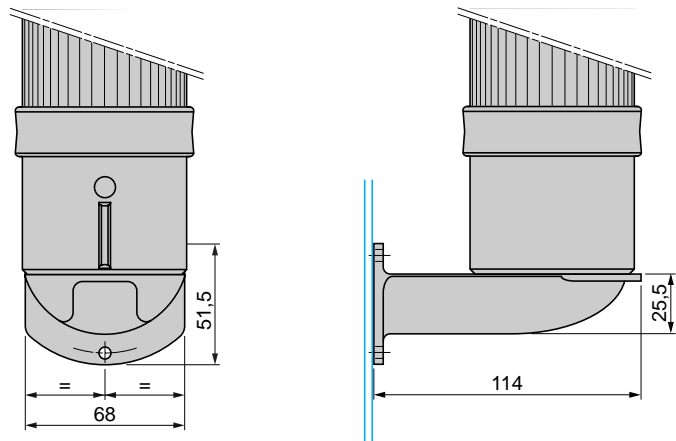
- 1 Support tube XVB-C0● Ø 25 mm
- 2 Fixing plate for vertical surface XVB-C12

	b
XVB-C02	77
XVB-C03	377
XVB-C04	777

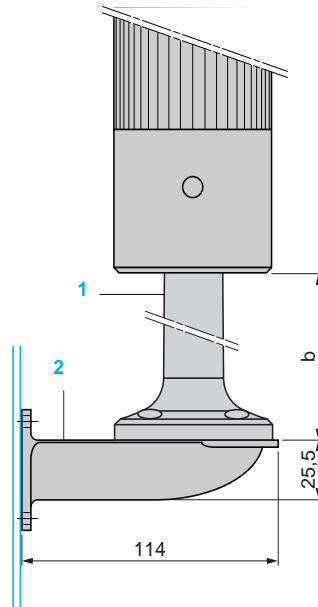
#### Cut-out in horizontal panel for fixing on plate XVB-C11



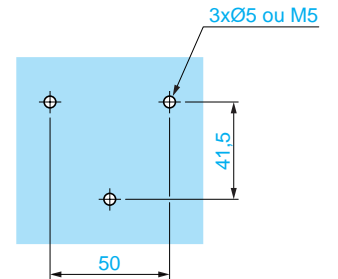
#### Fixing plate for vertical surface XVB-C12 Direct mounting on base unit



#### Mounting by means of plate XVB-C11 screwed onto tube XVB-C0●



#### Cut-out in vertical panel for fixing on plate XVB-C12



- 1 Tube Ø 25 mm
- 2 Fixing plate for vertical surface XVB-C12

	b
XVB-C02	77
XVB-C03	377
XVB-C04	777

#### Wiring scheme

